

Parts for Avery Dennison ST9000™ Plastic Stapler - Old Style

Note: Old style ST9000™ have the style number 10646-0 printed on the machine.

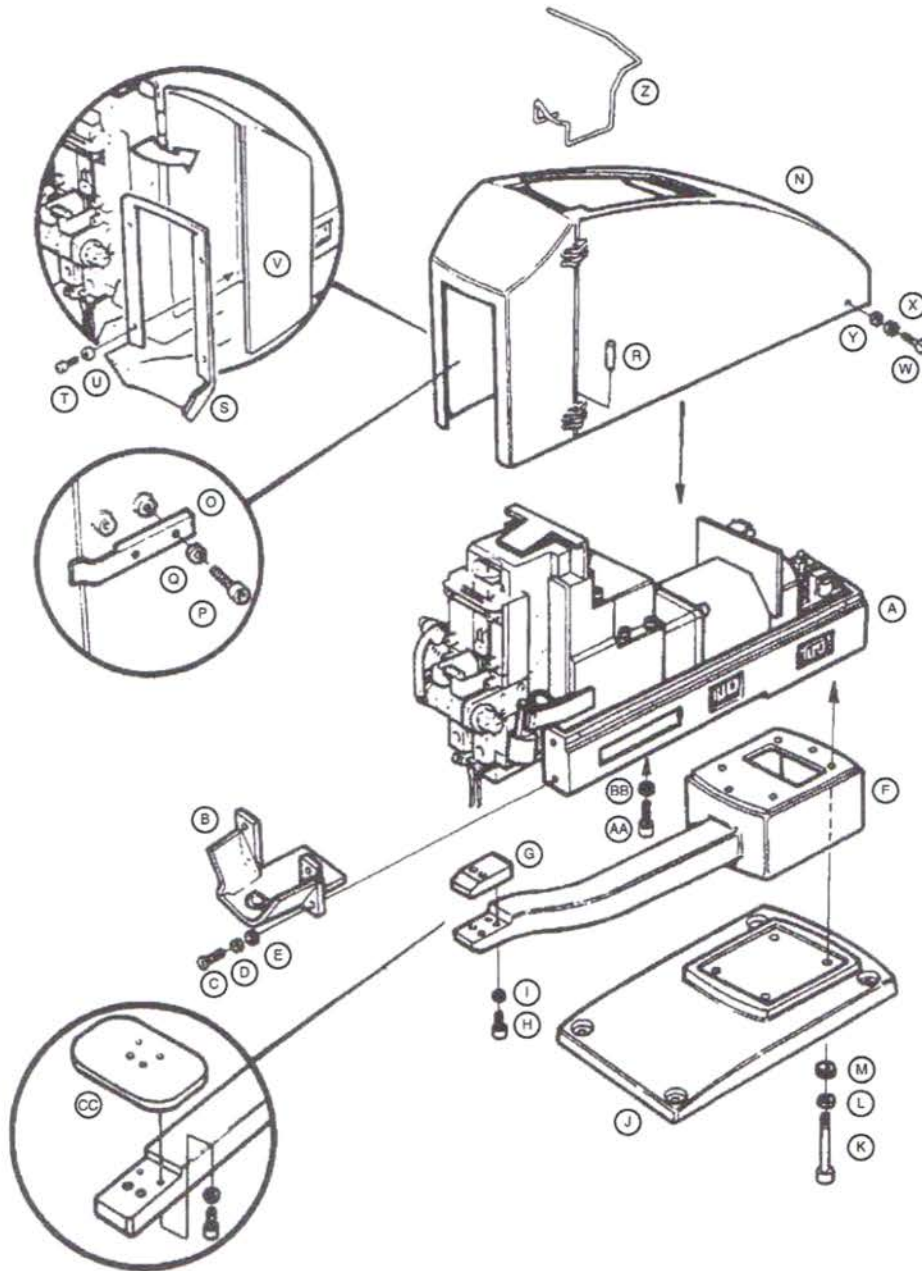


Fig.	Part Number	Description	Qty.
A	DT0002-001	Assembly, frame	1
B	DT0007-001	Needle guard	1
C	DT0029-001	Button screw M4 x 8mm	4
D	028040-242	Lock washer M4	4
E	026040-136	Washer M4	4
F	DT0008-001	Assembly, reactor arm	1
G	DT0010-001	Reactor plate, Standard ST9000	1
H	018400-831	Screw M4 x 8mm	2
I	028040-242	Lock washer M4	2
J	DT0012-001	Base	1
K	018089-531	Screw M8 x 95mm	4
L	028080-242	Lock washer M8	4
M	025080-132	Washer M8	4
N	DT0013-001	Assembly, enclosure	1

Fig.	Part Number	Description	Qty.
O	DT0018-001	Spring, front door	1
P	018300-631	Screw M3 x 6mm	2
Q	028030-242	Lock washer M3	2
R	DT0022-001	Pin, hinge	2
S	DT0027-001	Door, needle guard	1
T	018300-631	Screw M3 x 6mm	4
U	DT0028-001	Washer M3 x 12	4
V	DT0024-001	Door, enclosure (not clear) RG	1
	DT0024-002	Clear door (goes on vertical machine)	1
W	DT0029-001	Button screw M4 x 8mm	4
X	028040-242	Lock washer M4	4
Y	026040-136	Washer M4	4
Z	DT0030-001	Reel support	1
AA	018061-531	Screw M6 x 15mm	4
BB	028060-242	Lock washer M6	4
CC	DT0036-001	Reactor plate, Vertical ST9000	1

Parts for Avery Dennison ST9000™ Plastic Stapler - Old Style - Head - External Parts 1

Note: Old style ST9000™ have the style number 10646-0 printed on the machine.

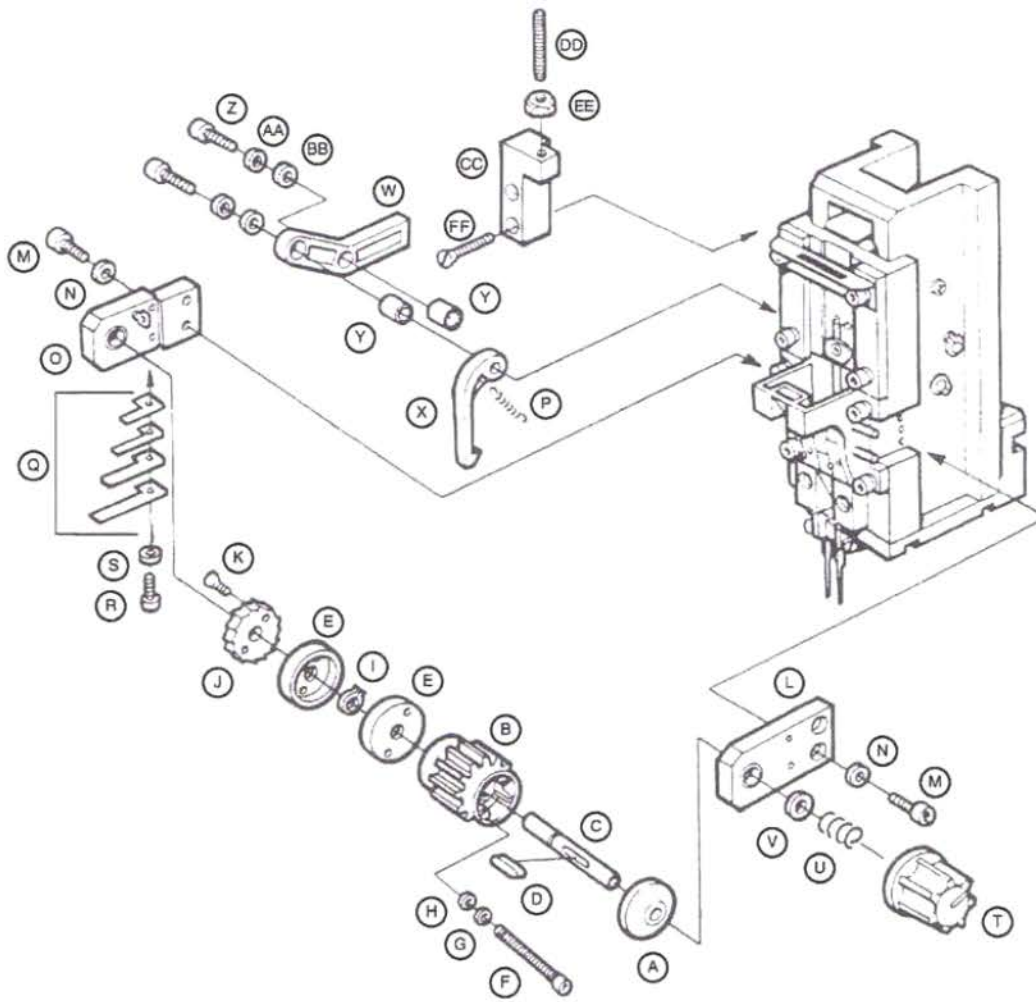


Fig.	Part Number	Description	Qty.
A	DT0137-001	Feed collar	1
B	DT0138-001	Feed gear	1
C	DT0165-001	Feed shaft	1
D	DT0140-001	Key	1
E	DT0141-001	Clutch, ratchet	2
F	018303-031	Screw M3 x 30mm	2
G	026030-232	Washer M3	2
H	028030-242	Lock washer M3	2
I	048060-142	C-ring 6M	1
J	DT0143-001	Feed ratchet	1
K	DT0158-001	Screw M3 x 8mm	2
L	DT0145-001	Assembly, support plate right	1
M	018401-031	Screw M4 x 10mm	4
N	028040-242	Lock washer M4	4
O	DT0147-001	Assembly, support plate left	1
P	DT0149-001	Pawl spring	1
Q	DT0150-001	Anti-back, ratchet (welded together as one piece)	1

Fig.	Part Number	Description	Qty.
R	018300-631	Screw M3 x 6mm	1
S	028030-242	Lock washer M3	1
T	DT0151-001	Feed knob	1
U	DT0152-001	Feed spring	1
V	025060-232	Washer M6	1
W	DT0154-001	Feed lever	1
X	DT0155-001	Feed pawl	1
Y	DT0156-001	Spacer M6	2
Z	018401-231	Screw M4 x 12mm	2
AA	028040-242	Lock washer M4	2
BB	026040-136	Washer M4	2
CC	DT0212-001	Feed stop	1
DD	012502-531	Screw M5 x 25mm	1
EE	021500-305	Nut M5	1
FF	DT0229-001	Screw M4 x 20mm	2

Parts for Avery Dennison ST9000™ Plastic Stapler - Old Style - Head - External Parts 2

Note: Old style ST9000™ have the style number 10646-0 printed on the machine.

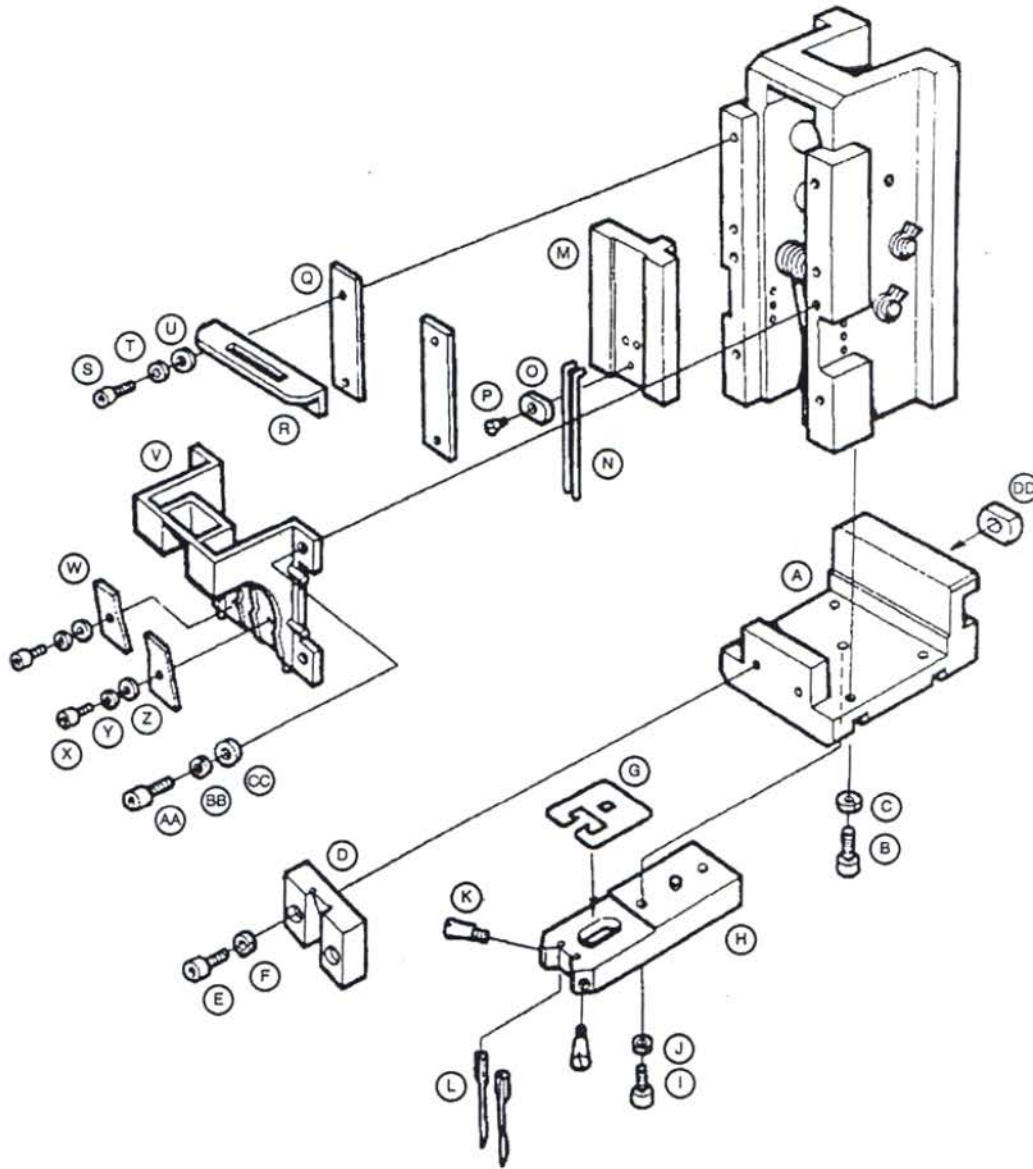


Fig.	Part Number	Description	Qty.
A	DT0117-001	Block, needle holder	1
B	018401-031	Screw M4 x 10mm	4
C	028040-242	Lock washer M4	4
D	DT0118-001	Knife block	1
E	018400-831	Screw M4 x 8mm	2
F	028040-242	Lock washer M4	2
G	DT0119-001	Knife	1
H	DT0120-001	Assembly, needle holder	1
I	018401-531	Screw M4 x 15mm	2
J	028040-242	Lock washer M4	2
K	DT0122-001	Screw, needle lock	2
L	11008	Needles, Plastic Staple™ Fine Fabric™	2
L	11009	Needles, Plastic Staple™ Ultra Fine Fabric™	2
M	DT0125-001	Ejector slide	1
N	7-60-2733-01	Ejector rod	2

Fig.	Part Number	Description	Qty.
O	DT0128-001	Ejector rod washer	1
P	DT0158-001	Screw M3 x 8mm	1
Q	DT0129-001	Screw plate	2
R	DT0130-001	Upper feed guide	1
S	DT0159-001	Button screw M4 x 10mm	4
T	026040-136	Washer M4	4
U	028040-242	Lock washer M4	4
V	DT0131-001	Assembly, feed guide	1
W	DT0135-001	Guide plate	2
X	018300-631	Screw M3 x 6mm	2
Y	028030-242	Lock washer M3	2
Z	026030-232	Washer M3	2
AA	018400-831	Screw M4.8mm	4
BB	026040-136	Washer M4	4
CC	028040-242	Lock washer M4	4
DD	DT0224-001	Bushing, crank	1

Parts for Avery Dennison ST9000™ Plastic Stapler - Old Style - Head - Internal Parts

Note: Old style ST9000™ have the style number 10646-0 printed on the machine.

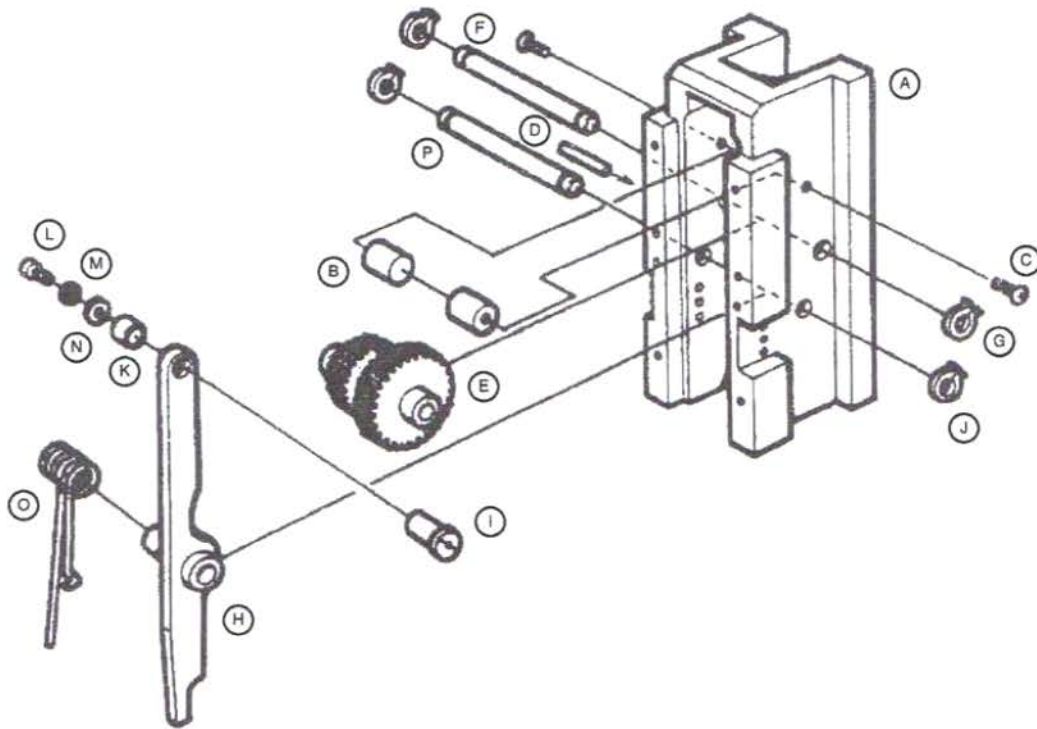


Fig.	Part Number	Description	Qty.
A	DT0103-001	Housing	1
B	DT0106-001	Guide, knife lever	2
C	DT0226-001	Screw M4 x 8mm	2
D	047301-842	Spring pin M3	1
E	DT0108-001	Gear, ejector	1
F	DT0109-001	Shaft, gear	1
G	048060-142	C-Ring M6	2
H	DT0110-001	Assembly, knife lever	1
I	DT0112-001	Shaft, knife roller	1
J	048060-142	C-Ring M6	2
K	DT0113-001	Knife roller	1
L	018300-831	Screw M3 x 8mm	1
M	028030-242	Lock washer M3	1
N	026030-232	Washer M3	1
O	DT0115-001	Spring, knife lever	1
P	DT0116-001	Shaft, knife lever	1

Parts for Avery Dennison ST9000™ Plastic Stapler - Old Style - Head - Motor and Drive Train

Note: Old style ST9000™ have the style number 10646-0 printed on the machine.

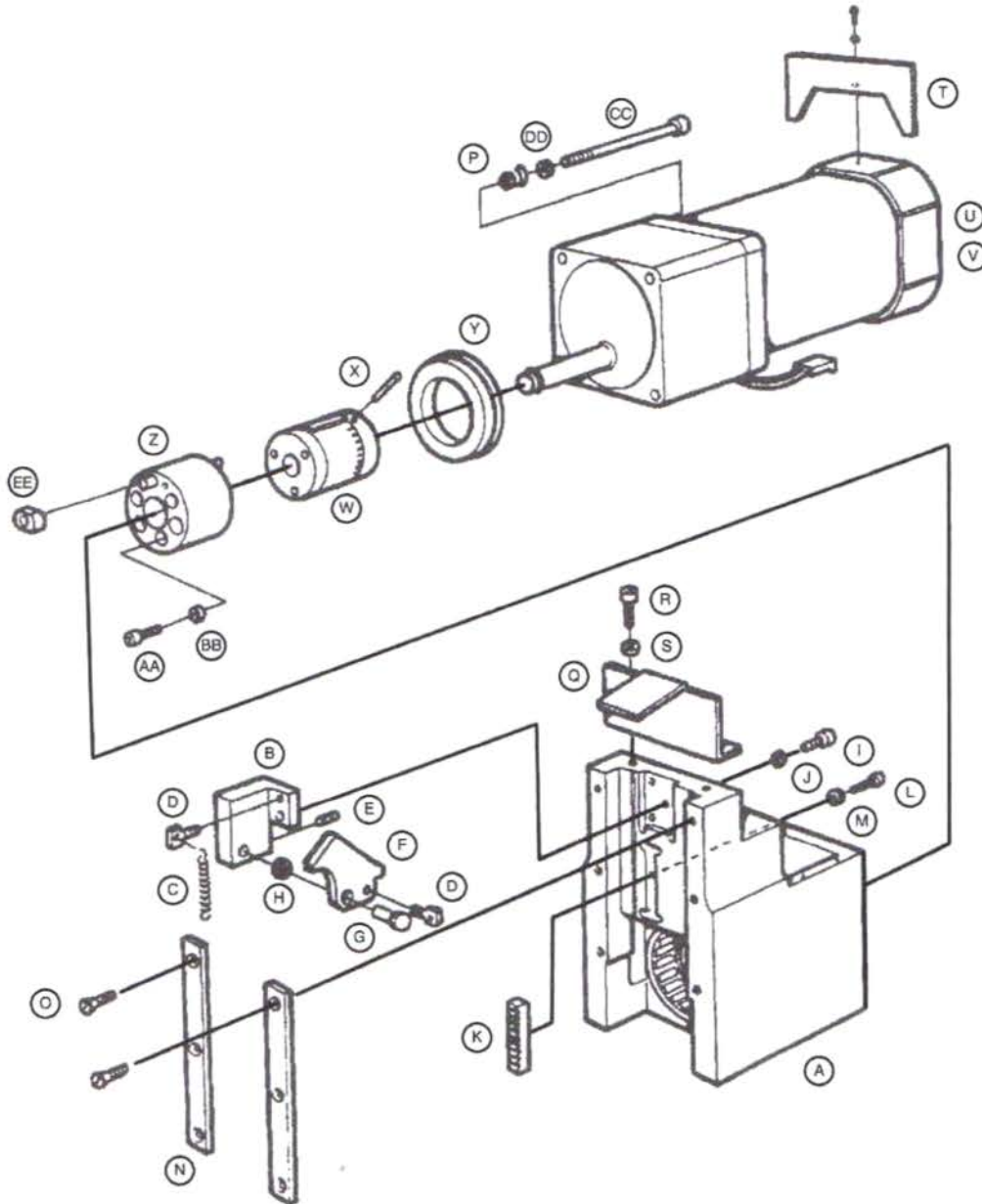


Fig.	Part Number	Description	Qty.
A	DT0202-001	Subassembly, mount	1
B	DT0206-001	Support, knife cam	1
C	DT0149-001	Pawl spring	1
D	150613-001	Spring post	2
E	012300-531	Screw M3 x 5mm	1
F	DT0207-001	Knife cam	1
G	DT0209-001	Shaft, knife cam	1
H	026040-136	Washer M4	1
I	018401-031	Screw M4 x 10mm	3
J	028040-242	Lock washer M4	3
K	DT0210-001	Rack, stationary	1
L	018300-831	Screw M3 x 10mm	1
M	028030-242	Lock washer M3	1
N	DT0211-001	Mount clamp	2
O	DT0226-001	Screw M4 x 8mm	6
P	225580-001	Steel tie #5	1

Fig.	Part Number	Description	Qty.
Q	DT0231-001	Bracket, front safety	1
R	018300-831	Screw M3 x 8mm	2
S	028030-242	Lock washer M3	2
T	DT0232-001	Bracket, rear safety	1
U	DT0213-001	Assembly, motor 100/120V	1
V	DT0216-001	Assembly, motor 200/240V	1
W	DT0218-001	Clutch	1
X	047503-642	Spring pin 5x36	1
Y	DT0219-001	Ring, motor support	1
Z	DT0220-001	Assembly, crank arm	1
AA	018501-231	Screw M5 x 12mm	3
BB	028050-242	Lock washer M5	3
CC	018068-531	Screw M6 x 85mm	4
DD	028060-242	Lock washer M6	4
EE	DT0224-001	Bushing, crank	1

Parts for Avery Dennison ST9000™ Plastic Stapler - Old Style - Head - Electrical

Note: Old style ST9000™ have the style number 10646-0 printed on the machine.

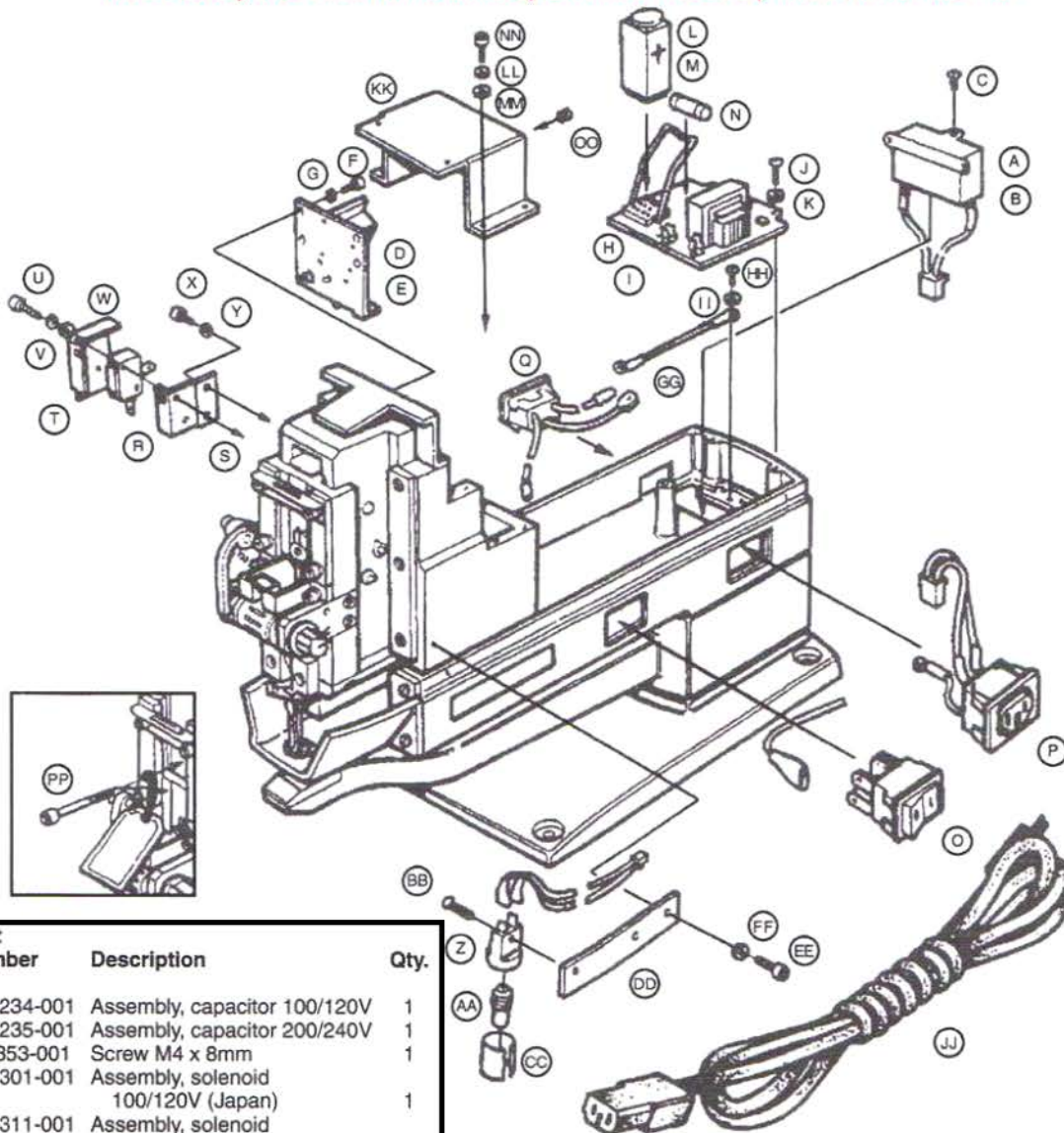


Fig.	Part Number	Description	Qty.
A	DT0234-001	Assembly, capacitor 100/120V	1
B	DT0235-001	Assembly, capacitor 200/240V	1
C	138853-001	Screw M4 x 8mm	1
D	DT0301-001	Assembly, solenoid 100/120V (Japan)	1
E	DT0311-001	Assembly, solenoid 200/240V (USA)	1
F	018401-031	Screw M4 x 10mm	4
G	026040-136	Washer M4	4
H	DT0344-001	PC board 100/120V	1
I	DT0345-001	PC board 200/240V	1
J	138853-001	Screw M4 x 8mm	3
K	026040-136	Washer M4	3
L	DT0346-001	Timer 100/120V	1
M	DT0347-001	Timer 200/240V	1
N	DT0348-001	Fuse	1
O	DT0338-001	On/Off switch	1
P	DT0317-001	Assembly Plug receptacle for power cord	1
Q	DT0318-001	Assembly, plug receptacle for foot switch	1
R	DT0320-001	Interlock switch	1
S	DT0321-001	Bracket, interlock switch	1
T	DT0340-001	Cover, interlock switch	1
U	002301-406	Screw M3 x 14mm	2
V	028030-242	Lock washer M3	2
W	026030-232	Washer M3	2
X	018400-831	Screw M4 x 8mm	2
Y	028040-242	Lock washer M4	2
Z	DT0322-001	Assembly, work area lamp	1
AA	X50228-001	Lamp, work area	1
BB	002261-405	Screw M26 x 14mm	1

Fig.	Part Number	Description	Qty.
CC	DT0324-001	Lamp shade	1
DD	DT0325-001	Lamp plate	1
EE	018400-831	Screw M4 x 8mm	2
FF	028040-242	Lock washer M4	2
GG	DT0332-001	Ground wire, motor	1
HH	060400-812	Screw M4 x 8mm	2
II	027040-226	Lock washer	2
JJ	7-60-4270-01	Power cord UL/CSA 200/240V (USA)	1
JJ	7-60-4270-02	Power cord IEC/EC 200/240V (Europe)	1
JJ	7-60-4270-03	Power cord Japan 100/120V	1
KK	DT0225-001	Solenoid cover	1
LL	018-300-831	Screw M3 x 8mm	6
MM	028030-242	Lock washer M3	6
NN	026030-232	Washer M3	6
OO	146315-009	Plug, rubber	1
	DT0401-001	Shipping carton, Standard ST9000	1
	DT0408-01	Shipping carton, Vertical ST9000	1
	DT0406-001	Operator and Service Manual	1
PP	DT0507-001	Screw, shipping restraint & tao	1